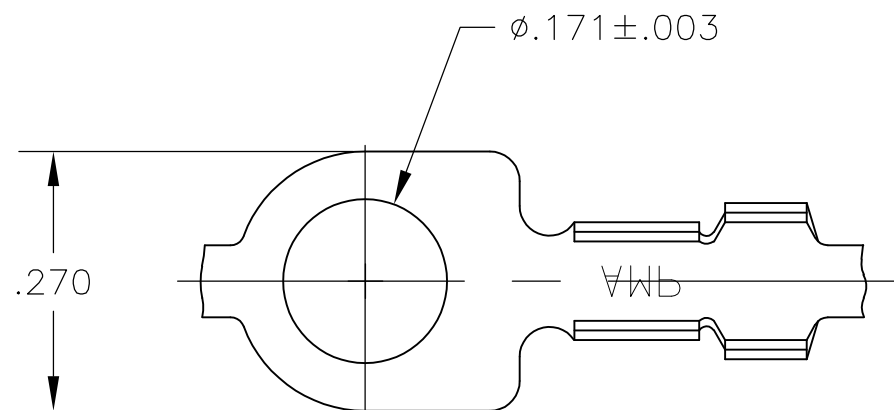
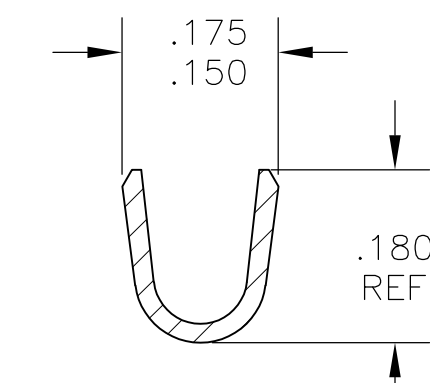
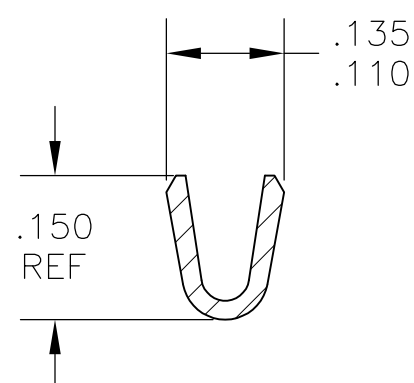
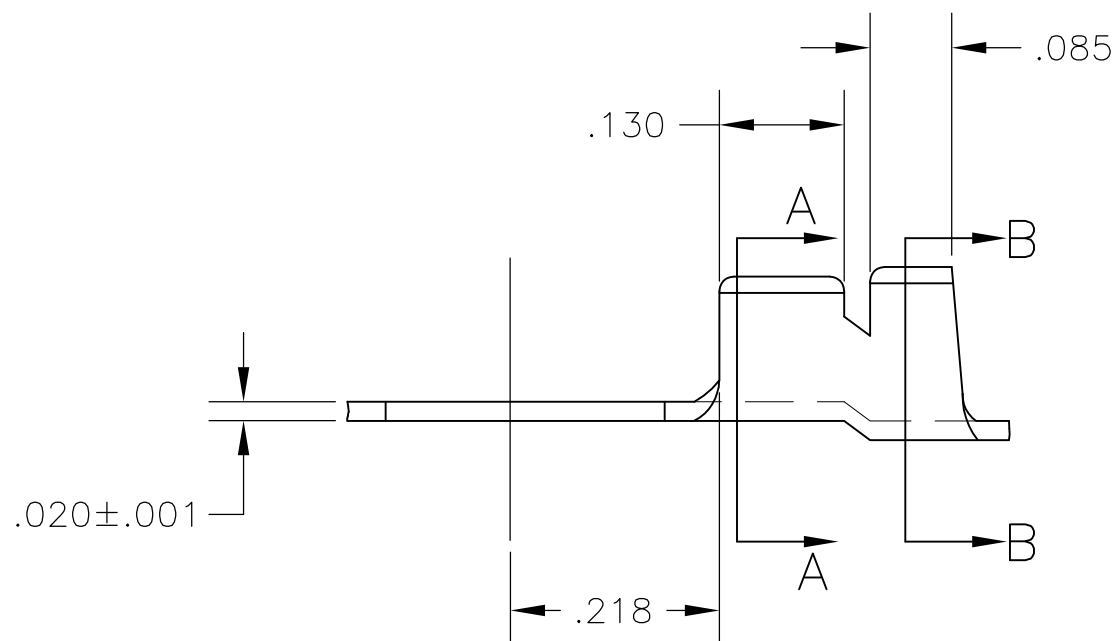


THIS DRAWING IS UNPUBLISHED. RELEASED FOR PUBLICATION
 © COPYRIGHT - BY TYCO ELECTRONICS CORPORATION. ALL RIGHTS RESERVED.

LOC	DIST	REVISIONS			
P	LTR	DESCRIPTION	DATE	DWN	APVD
AF	50	B	REVISED PER ECR-10-006099	07JUL10	HMR PD



1. CONTINUOUS STRIP ON REELS
2. WIRE SIZE IS #20-#16 AWG
3. INSULATION RANGE IS .075-.120 DIA



SECTION A-A

SECTION B-B

40888
 PART NO

THIS DRAWING IS A CONTROLLED DOCUMENT.		DWN jr_ruth 10MAR06	Tyco Electronics Corporation Harrisburg, PA 17105-3608		
DIMENSIONS: INCHES		CHK D DECKER 10MAR06			
		APVD D DECKER 10MAR06	NAME		
TOLERANCES UNLESS OTHERWISE SPECIFIED:		PRODUCT SPEC	TERMINAL, RING		
0 PLC ± -		APPLICATION SPEC	SIZE	CAGE CODE	DRAWING NO
1 PLC ± -		—	A3 00779		C-40888
2 PLC ± -		—	RESTRICTED TO		
3 PLC ± .010		—	—		
4 PLC ± -		—	—		
ANGLES ± 5°		—	—		
MATERIAL	FINISH	WEIGHT	—		
082 BRASS	TIN	—	—		
CUSTOMER DRAWING		SCALE	SHEET	REV	
—		5:1	1 OF 1	B	